

340 SERIES ADAPT DESK

usacapitol

PREMIUM QUALITY CLASSROOM FURNITURE



340



D E S K F E A T U R E S

- Safe tubular frame • Heavy-Duty modesty panel support • Powder-coated upper frame • Plateable-quality heavy-gauge steel throughout • 5/8" warp-free top hard plastic with pencil groove or 1-1/8" laminate top • High-quality chrome inserts • Superior extra-long frame welds • Dual Locking-screw insert attachment • Adjustable glides on all four legs • Ships either assembled or KD • Available in colors to complement stock chair colors •

Designed and Engineered for Heavy-Duty use in technology and collaborative classrooms. Large work surfaces provide ample space for reading, writing, and computing. The best of all worlds is exemplified in this utilitarian dream. Function and form are exemplified in this attractive student desk.

H I G H L I G H T S

- Premium Quality
- Wide Chair Access
- 14/16 Gauge Upper
- 16 Gauge Inserts
- Lifetime Frame Warranty
- 9" Adjustable Height
- 3 Standard HP Top Colors
- Four Adj Leveling Glides

340 Adapt Student Desk Specifications

Frame: All-tubular frame design with attachment plate, 16 gauge x 1" Y-tubing uprights, multiple arc welded into an integral design. 1.250" x 2-1/2" x 14 gauge tubular connecting upper is welded to form support. Minimum 16" of total weld. Frame upper is powder coated after all welding is complete.

Modesty Panel: Heavy-duty 14 gauge Modesty Panel connects via four safe sleeve bolts creating integral unit. Panel connects to desktop at three points to prevent 'racking' after install. Panel is powder coated.

Standard Chrome Insert Finish: Chrome is comprised of metal layers (Nickel & Chromium) electrostatically bonded to metal. Our standard is 4-6 mills (25%-50% more than our competitors) of Nickel-it will not scratch. Our product is chromed on plateable quality tubing after all welding is completed to prevent rusting on unfinished welds.

Inserts: 1" x 2-1/4" Rectangle tubing, nickel/chrome plated tubing with punched holes to receive two adjustment screws per leg. Leg adjustment uses self-tapping locking screws which pass completely through both upper leg and lower insert.

Glides: Four independently adjustable nylon glides. Glide adjust via inside holding metal threaded adapter. The units allows for easy adjustment for inconsistent floors.

Solid Plastic Top: Solid molded thermoset plastic. 19" x 26" work surface with smooth molded edges and permanent color throughout thickness. Molded pencil groove. Top is attached using self-tapping screws into twelve uniformly drilled holes.

Laminate Top: Three-ply construction. 19" x 26" or 20" x 21" x 27" High pressure laminate and backer are 'fused' to the wood core base using a glue web formulation that is clean, environmentally safe, extremely consistent. 3/8" bull-nosed bumper edging that is mechanically fastened every 6 to 8 inches. Top is attached using self-tapping screws into fifteen uniformly drilled holes. No pencil groove.

Frame Colors: Available in standard Black, optional Navy and Titanium.

Top Colors HP/Laminate: Available in standard Beige and Grey. Optional Grey Nebula, Charcoal, Maple, Oak, Cherry, Walnut, and Mahogany

Special Laminate: Any color that is a Wilsonart™ standard is available for an upcharge.

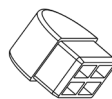
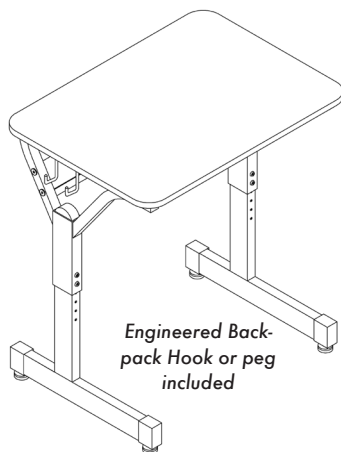
Warranty:

- Limited Lifetime Frame Warranty
- Ten Year Comprehensive Warranty

Samples: Compliance with the specifications and verification of required quality levels may be determined by requesting samples.

Models:

- **340** ♦ Adapt Student Desk - HP 19"x26"
- **340B** ♦ Adapt Student Desk - LAM 19"x26"
- **341B** ♦ Adapt Student Desk - LAM 20"x27"
- **342B** ♦ Adapt Student Desk - LAM 20"x27" with Bookbox
- All Units Adjustable from 24" to 32"



HD Cap and Glide

